

Application Note

Document No.: AN1100

**APM32F035_MOTOR EVAL Sensing Square Wave
Control Scheme**

Version: V1.1

Contents

1	General Introduction	3
1.1	Project Overview	3
1.2	APM32F035 Chip Resources	3
2	Hardware Introduction	5
2.1	Overall Hardware Circuit.....	5
2.2	Interface Circuits and Settings.....	6
2.3	Physical System Hardware	9
3	Software Introduction.....	11
3.1	Overall Program Architecture.....	11
3.2	Introduction to State Machine	13
3.3	Top-layer Peripheral Configuration	13
3.4	Settings of Key Parameters	16
3.5	Debugging method.....	17
4	Actual test waveform.....	19
5	Revision History	20

1 General Introduction

1.1 Project Overview

APM32F035 is a specialized chip launched by Geehy Semiconductor Co., Ltd. for motor control. Based on APM32F035, this design provides a sensing square wave control scheme. The detailed design specifications are shown in the table below:

Table 1 Design Specifications

Control mode	Sensing square wave six-step commutation
PWM modulation mode	HPWM_LON
Angle acquisition	HALL Sensor
PWM frequency	20 KHz
Number of pole pairs	2 pairs of poles
Motor speed	0~3000RPM
Starting mode	6 Step
Protection function	Overvoltage, undervoltage, software overcurrent, hardware overcurrent
Code size	<10Kbytes
Development software	Keil C (V5.23 version and above)

1.2 APM32F035 Chip Resources

APM32F035 is a high-performance special MCU for motor control which is based on the Arm Cortex-M0+ core, integrates the mathematical operation accelerators (Cordic, Svpwm, hardware divider, etc.) commonly used in FOC algorithms, and integrates such analog peripherals as amplifiers and comparators, as well as CAN controllers.

Table 2 Functions and Peripherals of APM32F035 Series Chip

Product	APM32F035	
Model	C8T7	K8T7
Package	LQFP48	LQFP32
Core and maximum working frequency	Arm® 32-bit Cortex®-M0+@72MHz	
M0CP Co-processor	1	
Flash memory (KB)	64	
SRAM(KB)	10	
Timer	32 bit/16 bit universal	1/2

Product		APM32F035	
	16-bit advanced	1	
	16-bit basic	2	
	24-bit counter	1	
	Watchdog (WDT)	2 (1 independent watchdog +1 window watchdog)	
	Real-time clock	1	
Communication interface	USART	2	
	SPI/I2S	1/1	
	I2C	1	
	CAN	1	
12-bit ADC	Unit	1	
	External channel	16	12
	Internal channel	3	
Comparator (COMP)		2	
Operational amplifier (OPA)		4	2
GPIOs		42	27
Operating temperature		Ambient temperature: -40°C to 105°C Junction temperature: -40°C to 125°C	
Working voltage		2.0~3.6V	

2 Hardware Introduction

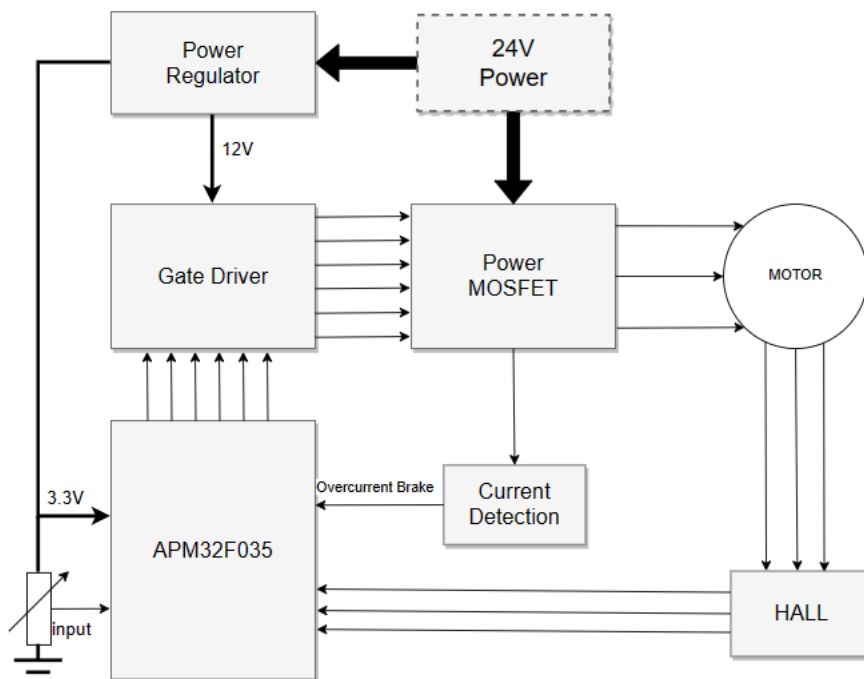
2.1 Overall Hardware Circuit

The overall hardware system is powered by an external 24V power supply and after conversion through the corresponding power step-down circuit, it outputs stable 12V, 5V, and 3.3V voltages. The 12V voltage is output to the Gate driver IC, the 3.3V voltage is output to the APM32F035 series microprocessor, and the power switch tube is directly connected to the 24V power supply. At the same time, this scheme uses a variable resistance knob to adjust the voltage input of 0~3.3V as the input end of the speed command, in order to adjust the motor speed. Users can directly adjust the input voltage by turning the variable resistor knob in actual use. When the input voltage value exceeds the starting threshold, the motor will start running, and when the voltage value is below the threshold, the motor will stop running.

After the motor is started, confirm six commutation points by capturing the jump of the HALL signal, and achieve six-step commutation of the BLDC motor according to six different inverter MOS transistor driving sequences.

The hardware block diagram is shown in the figure.

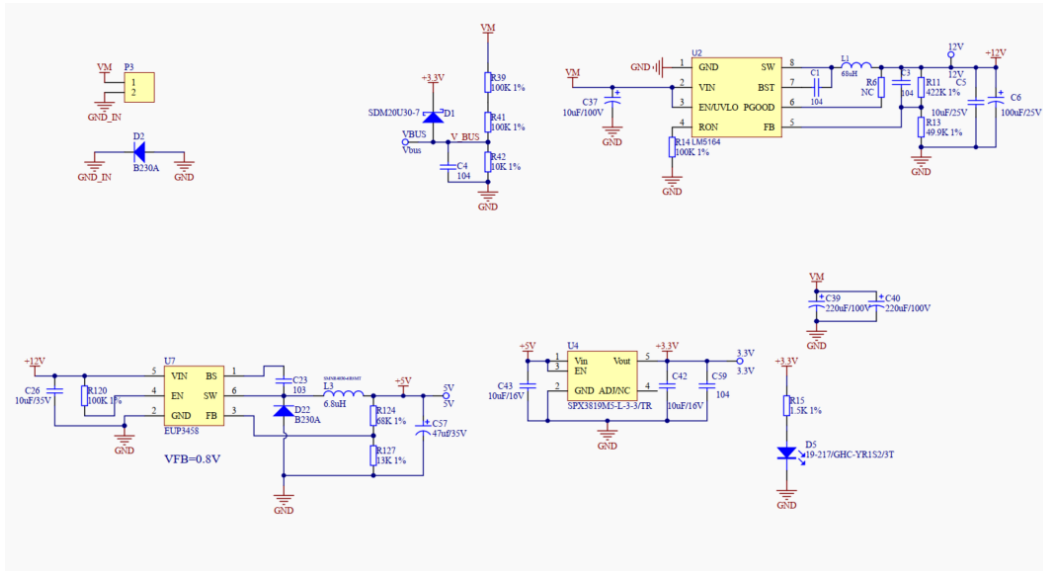
Figure 1 Hardware System Block Diagram



2.2 Interface Circuits and Settings

2.2.1 Power circuit

Figure 2 Power Circuit



As shown in the figure, supply voltage $V_BUS = VM / ((100K + 100K + 10K) / 10K) = VM / 21$

A 12-bit ADC is adopted, and the sampling range 0-3.3V corresponds to 0-4096

Then the maximum sampling voltage corresponding to 3.3V is: $VM = 3.3 * 21 = 69.3V$

2.2.2 Driving circuit

Figure 3 MOSFET Circuit

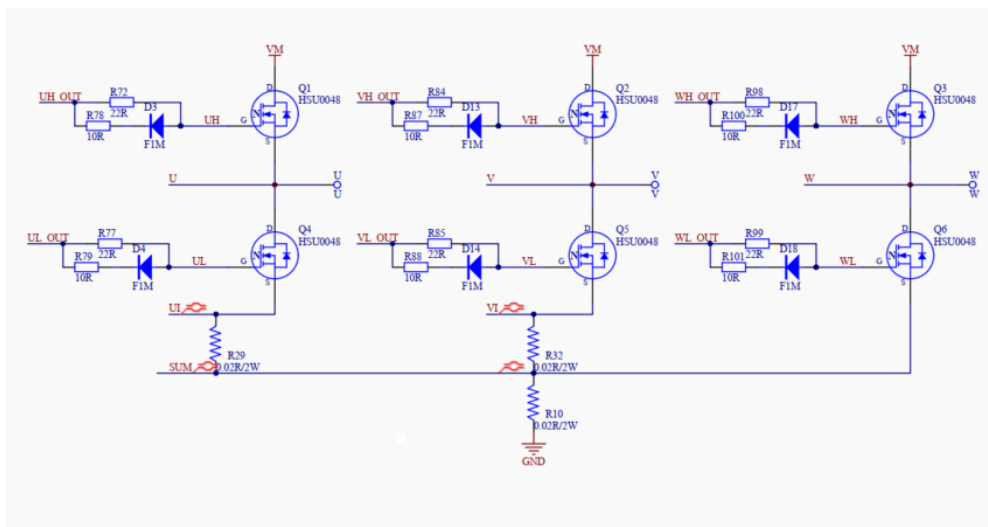
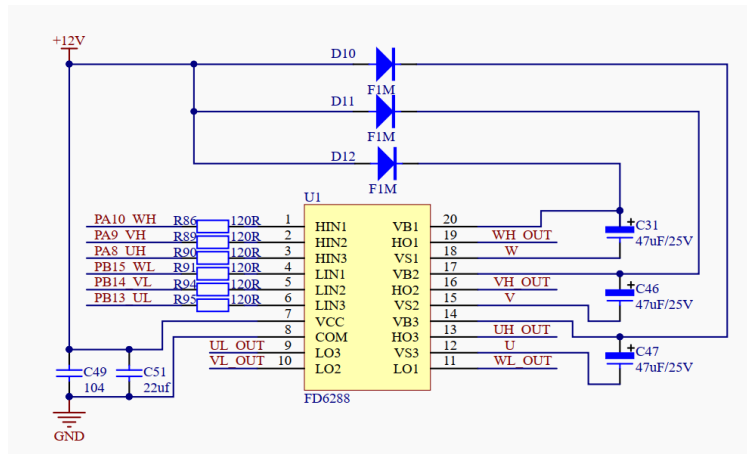
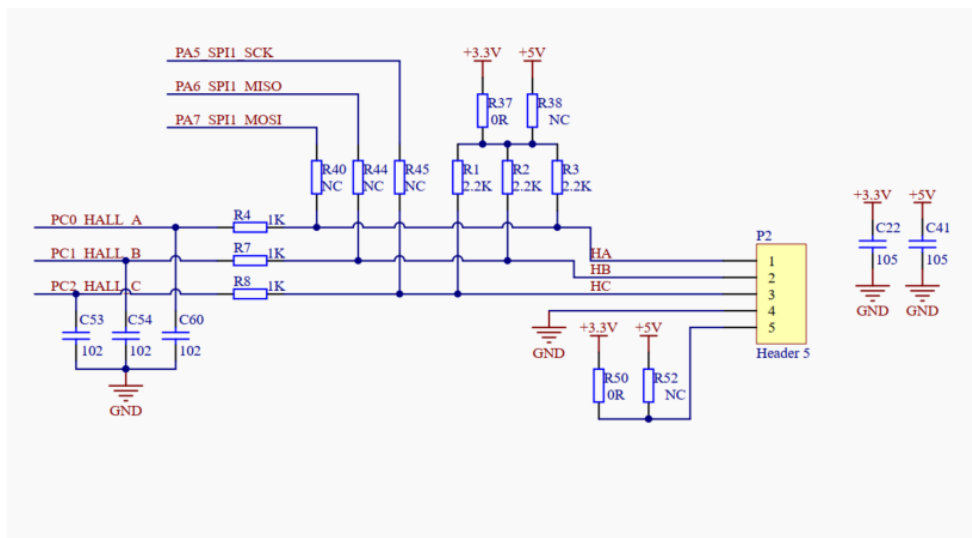


Figure 4 Pre-drive Circuit



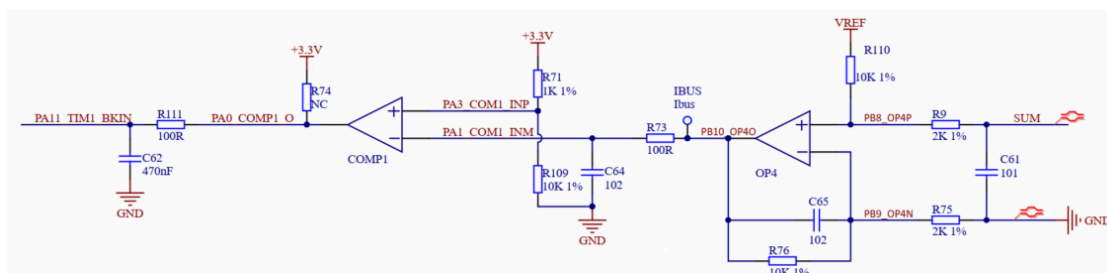
2.2.3 Hall Detection Circuit

Figure 5 Hall Detection Circuit



2.2.4 Overcurrent protection circuit

Figure 6 Overcurrent Protection Circuit



As shown in the figure, a built-in operational amplifier OPA4 is used to sample the bus current. A 12-bit ADC is adopted with a sampling range of 0-3.3V corresponding to 0-4096. From the

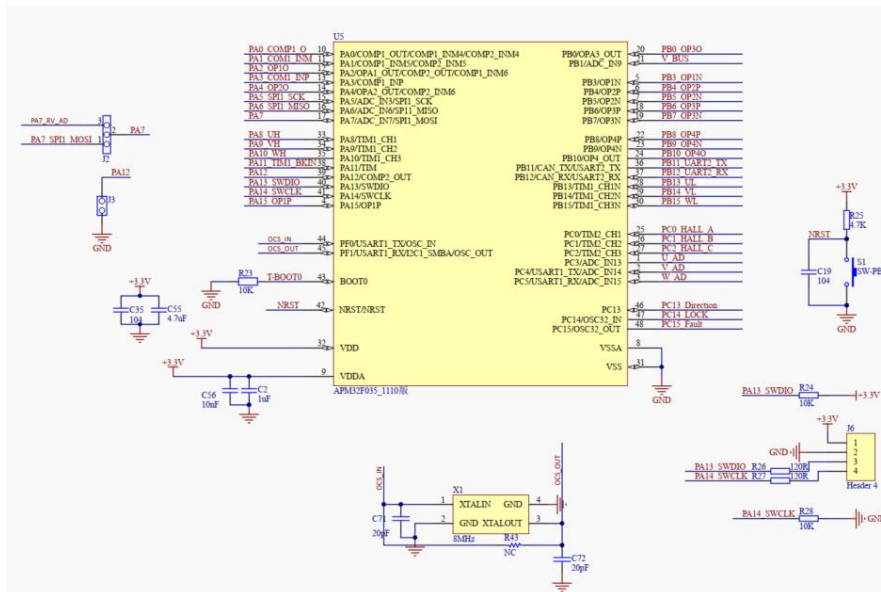
figure, it can be seen that the sampling resistance is 0.02R,

the output end of OPA4 is used as the reverse input end of COMP1, and resistance voltage division is adopted at the forward input end. Through simple calculation, it can be concluded that when the input is 3V,

Then the maximum current corresponding to 3V is $(3-1.65)/5/0.02=13.5A$

2.2.5 Minimum system circuit

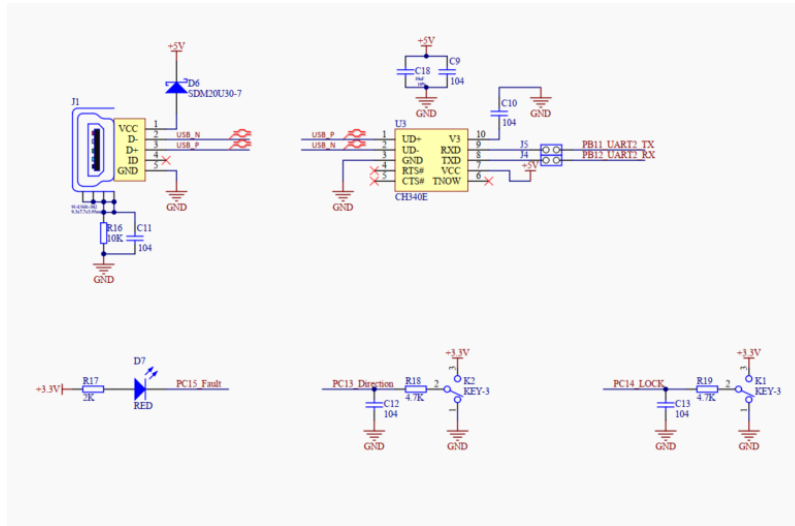
Figure 7 Minimum System Circuit



As shown in the figure, the utilization of APM32F035 MOTOR EVAL V1.0 board hardware interface resources is described in the above figure. The external crystal oscillator input of HSE is 8MHz, and SWD burning interface is adopted for burning.

2.2.6 Communication Interface and Button Circuit

Figure 8 Communication Interface and Button Circuit



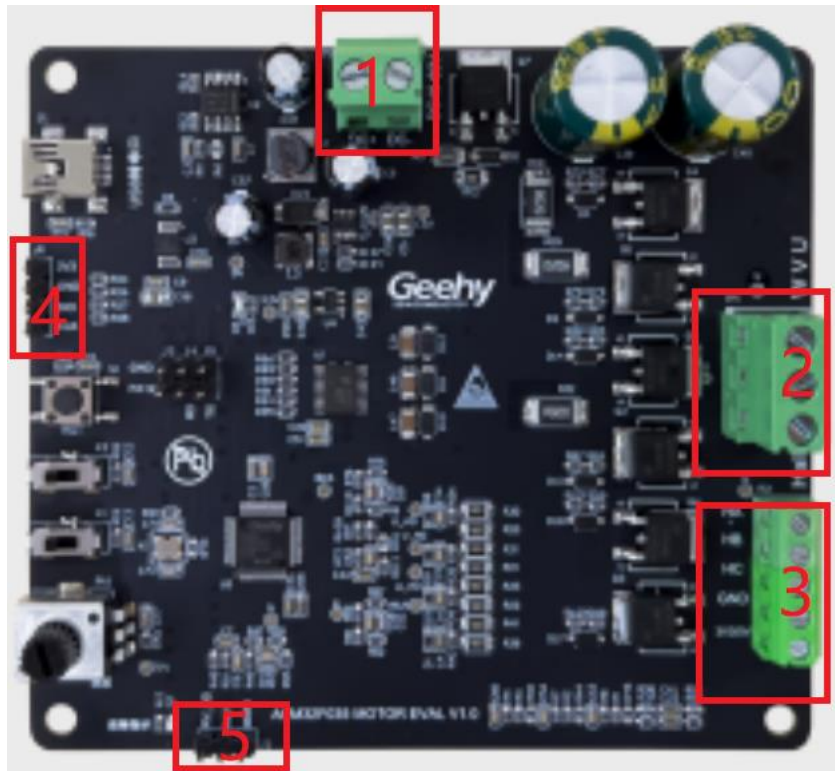
As shown in the figure, a USB-to-serial port and a fault indicator light are reserved in the APM32F035 MOTOR EVAL V1.0 board hardware for debugging by developers; the two buttons are responsible for implementing the functions of controlling the running direction of the motor and locking.

2.3 Physical System Hardware

The picture of the system is shown in the figure, and it mainly includes the following four interfaces:

- (1) Power input interface (connect to 24V, pay attention to positive and negative poles)
- (2) Three phase motor interface (phase sequence only affects the direction of rotation)
- (3) HALL input interface
- (4) SWD debugging interface
- (5) The jumper cap port needs to be connected

Figure 9 Hardware Picture



3 Software Introduction

3.1 Overall Program Architecture

The overall code architecture of this project can be divided into four layers: user layer, peripheral driver layer, motor control driver layer, and motor algorithm layer. The specific functional descriptions are as follows:

3.1.1 USER Layer

main.c: The main function entry is responsible for switching of motor initialization parameters, underlying peripherals, interrupt priority, while cycle, and low-speed state machine loop;

apm32f035_int.c: All interrupt handling functions, mainly including TMR1 interrupt function and ADC interrupt handler function;

user_function.c: Includes initialization configuration, parameter reset, and other handler functions of motor parameters;

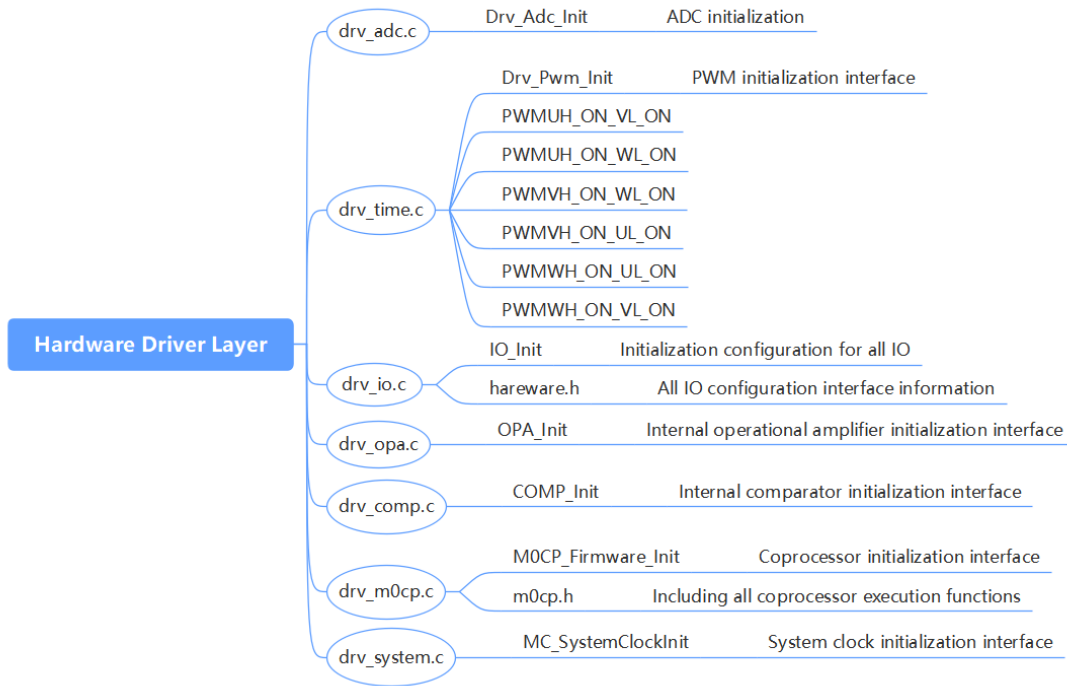
parameter.h: Includes all required configuration parameter information;

board.c: Includes initialization configuration functions of board-level underlying peripheral.

3.1.2 Peripheral Driver Layer (HARDWARE Layer)

The peripheral driver layer is mainly responsible for the peripheral driver functions and configuration of the APM32F035 chip, mainly including GPIO, PWM, ADC, OPA, COMP and M0CP coprocessors, as shown in the following figure.

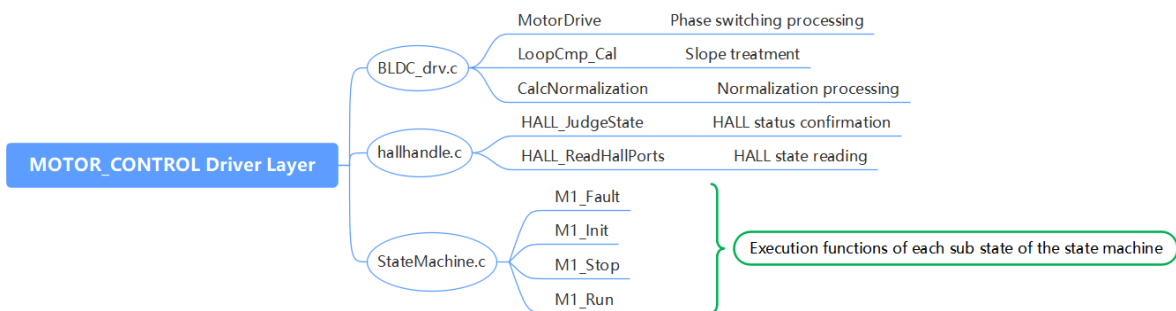
Figure 10 Peripheral Driver Layer



3.1.3 Motor Control Drive Layer (MOTOR_CONTROL Layer)

The motor control driver layer is mainly responsible for the control run logic and core processing algorithm call of the motor, as shown in the following figure.

Figure 11 Motor Control Driver Layer



3.1.4 Geehy Motor Algorithm Layer (Geehy_MCLIB Layer)

The motor algorithm layer includes math library and other library functions.

3.2 Introduction to State Machine

In this case, the structure of embedding the sub-state machine into the main state machine is adopted, as shown below:

Four main states: **INIT, STOP, FAIL, and RUN;**

The main state machine is described below:

Fault: When an error occurs in the system, it will remain in this state until the error flag bit is cleared;

Then after delay for a period of time, it will jump from the Fault state to the STOP state and wait for the start command

Init: This main state executes variable initialization;

Stop: The system waits for the speed command after completing initialization. In this state, the PWM output is turned off;

Run: When the system is in a running state and there is a Stop command or a Fault exception, the system will stop running.

3.3 Top-layer Peripheral Configuration

3.3.1 PWM Output Configuration

```
void Drv_Pwm_Init(uint16_t u16_Period,uint16_t u16_DeadTime)
```

(1) The general configuration of PWM is as follows:

Set the PWM clock frequency division to 1, select the center-aligned mode 1, and set the repeat counter to 1, as shown in the figure below.

Figure 12 General Configuration of PWM

```
/*Time Base configuration,init timel freq*/
TIM_TimeBaseInitStructure.period           = u16_Period;
TIM_TimeBaseInitStructure.div              = 0;
TIM_TimeBaseInitStructure.counterMode     = TMR_COUNTER_MODE_CENTERALIGNED1;
TIM_TimeBaseInitStructure.clockDivision   = TMR_CKD_DIV1;
TIM_TimeBaseInitStructure.repetitionCounter = 1;
TMR_ConfigTimeBase(TMR1, &TIM_TimeBaseInitStructure);
```

(2) PWM Output Status Configuration

Set the output status of upper and lower tubes of PWM and enable the configuration of PWM output of the upper and lower tubes to be effective,

configure the enabled brakes, configure the brake input polarity, and disable automatic recovery of brake hardware.

Figure 13 PWM Output Status Configuration

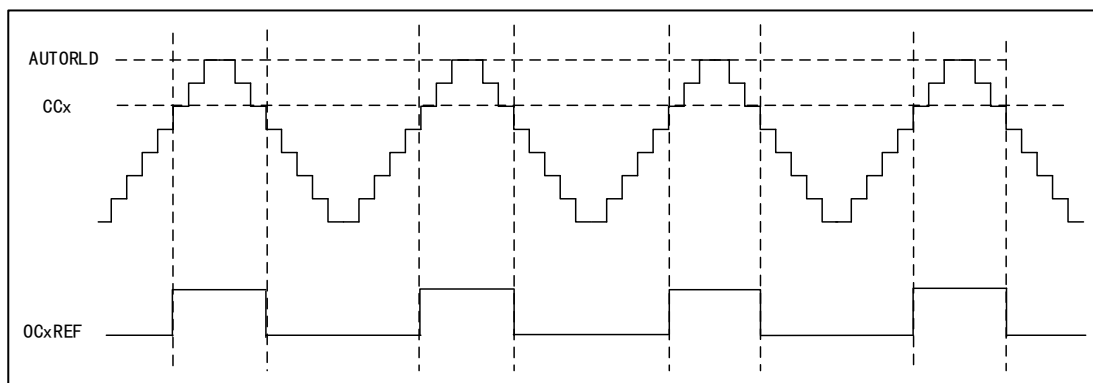
```

/* Automatic Output enable, Break, dead-time and lock configuration*/
TIM_BDTRInitStructure.RMOS_State = TMR_RMOS_STATE_ENABLE;
TIM_BDTRInitStructure.IMOS_State = TMR_IMOS_STATE_ENABLE;
TIM_BDTRInitStructure.lockLevel = TMR_LOCK_LEVEL_OFF;
TIM_BDTRInitStructure.deadTime = ul6_DeadTime;
/**
 * Brake configuration: enable brake
 * Brake input polarity: active in low level
 * Auto output enable configuration: Disable MOE bit hardware control
 */
TIM_BDTRInitStructure.breakState = TMR_BREAK_STATE_ENABLE;
TIM_BDTRInitStructure.breakPolarity = TMR_BREAK_POLARITY_LOW;
TIM_BDTRInitStructure.automaticOutput = TMR_AUTOMATIC_OUTPUT_DISABLE;
TMR_ConfigBDT(TMR1, &TIM_BDTRInitStructure);

/*pwm driver set, channel 1,2,3,4set pwm mode*/
TIM_OCInitStructure.OC_Mode = TMR_OC_MODE_PWM2;
TIM_OCInitStructure.OC_OutputState = TMR_OUTPUT_STATE_ENABLE; //TMR_OUTPUT_STATE_DISABLE;
TIM_OCInitStructure.OC_OutputNState = TMR_OUTPUT_NSTATE_ENABLE; //TMR_OUTPUT_NSTATE_DISABLE;
TIM_OCInitStructure.Pulse = 0;
TIM_OCInitStructure.OC_Polarity = TMR_OC_POLARITY_HIGH;
TIM_OCInitStructure.OC_NPolarity = TMR_OC_NPOLARITY_HIGH; //
TIM_OCInitStructure.OC_Idlestate = TMR_OCIDLESTATE_RESET; //TMR_OCIDLESTATE_SET; //
TIM_OCInitStructure.OC_NIdlestate = TMR_OCNIDLESTATE_RESET; //TMR_OCNIDLESTATE_SET; //

```

Figure 14 Timing Diagram of Center-aligned Mode



In count-up mode, when $TMR1_CNT < TMR1_CCR1$, Channel 1 is invalid level; otherwise it is valid level;

In count-down mode, when $TMR1_CNT > TMR1_CCR1$, Channel 1 is valid level; otherwise it is invalid level.

3.3.2 ADC Configuration

```
void Drv_Adc_Init(void)
```

(1) ADC underlying configuration

DMA mode is adopted, and the quantized data of ADC is directly transported to the ADC_ConvertedValue array for storage. The ADC trigger condition uses CC4 of TMR1 as the trigger source, to enable ADC and configure ADC interrupt priority and its enable. Details are shown below:

Figure 15 ADC Underlying Configuration

```
void Drv_Adc_Init(void)
{
    ... ADC_Config T ... ADC_InitStructure;
    ... DMA_Config T ... DMA_InitStructure;
    ... DMA_InitStructure.peripheralAddress = (uint32_t)&(ADC->DATA); //
    ... DMA_InitStructure.memoryAddress = (uint32_t)&ADC_ConvertedValue[0]; //
    ... DMA_InitStructure.direction = DMA_DIR_PERIPHERAL; //
    ... DMA_InitStructure.bufferSize = 6; //TOTAL_CHANNEL; //
    ... DMA_InitStructure.peripheralInc = DMA_PERIPHERAL_INC_DISABLE; //
    ... DMA_InitStructure.memoryInc = DMA_MEMORY_INC_ENABLE; //DMA_MEMORY_INC_ENABLE;
    ... DMA_InitStructure.peripheralDataSize = DMA_PERIPHERAL_DATASIZE_HALFWORD;
    ... DMA_InitStructure.memoryDataSize = DMA_MEMORY_DATASIZE_HALFWORD;
    ... DMA_InitStructure.circular = DMA_CIRCULAR_ENABLE; //
    ... DMA_InitStructure.priority = DMA_PRIORITY_LEVEL_VERYHIGH; //
    ... DMA_InitStructure.memoryToMemory = DMA_M2M_DISABLE; //
    ... DMA_Config(DMA_CHANNEL_1, &DMA_InitStructure); //
    ... DMA_Enable(DMA_CHANNEL_1);
    ... ADC_ClockMode(ADC_CLOCK_MODE_ASYNCCLK);
    ... ADC_ConfigStructInit(&ADC_InitStructure);
    ... ADC_InitStructure.convMode = ADC_CONVERSION_SINGLE;
    ... ADC_InitStructure.scanDir = ADC_SCAN_DIR_UPWARD;
    ... ADC_InitStructure.extTrigConv1 = ADC_EXT_TRIG_CONV_TRGI; //timer1-CC4
    ... ADC_InitStructure.extTrigEdgel = ADC_EXT_TRIG_EDGE_RISING;
    ... ADC_InitStructure.dataAlign = ADC_DATA_ALIGN_RIGHT;
    ... ADC_InitStructure.resolution = ADC_RESOLUTION_12B;
    ... ADC_Config(&ADC_InitStructure);
    ...
    ... ADC_ConfigChannel(ADC_CHANNEL_7 | ADC_CHANNEL_9 | ADC_CHANNEL_12 | ADC_CHANNEL_13 | ADC_CHANNEL_14 | ADC_CHANNEL_15, ADC_SAMPLE_TIME_1_5);
    ... ADC->CFG1_B.OVRMAG = 1;
    ... ADC_EnableInterrupt(ADC_INT_CS); //ADC_INT_CS ... ADC_INT_CSMP
    ... NVIC_EnableIRQ(ADC_COMP_IRQn);
    ... NVIC_SetPriority(ADC_COMP_IRQn, 0);
    ... ADC_DMAResquestMode(ADC_DMA_MODE_CIRCULAR);
    ... ADC_EnableDMA();
    ... ADC_Enable();
    ... ADC_StartConversion(); //
}

```

3.3.3 OPA and COMP Underlying Configuration

(2) OPA underlying configuration

To configure the underlying configuration of OPA, first configure the OPA pin, DISABLE the operational amplifier OPA, configure to use an external resistor network, and then ENABLE it, as shown in the figure below;

Figure 16 OPA Underlying Configuration

```
void OPA_Init(void)
{
    ... OPA_Disable(OPA1);
    ... OPA_Disable(OPA2);
    ... OPA_Disable(OPA3);
    ... OPA_Disable(OPA4);
    ... OPA_SelectGainFactor(OPA1, OPA_GAIN_FACTOR_0);
    ... OPA_SelectGainFactor(OPA2, OPA_GAIN_FACTOR_0);
    ... OPA_SelectGainFactor(OPA3, OPA_GAIN_FACTOR_0);
    ... OPA_SelectGainFactor(OPA4, OPA_GAIN_FACTOR_0);
    ... OPA_Enable(OPA1);
    ... OPA_Enable(OPA2);
    ... OPA_Enable(OPA3);
    ... OPA_Enable(OPA4);
}

```

(1) COMP underlying configuration

COMP is used for overcurrent anomaly detection. To configure the underlying configuration of COMP, first configure the COMP pin, set the COMP output to the BKIN connected to TMR1, set the output reverse, and trigger the BKIN of TMR1 at a low level, as shown in the following

figure;

Figure 17 COMP Underlying Configuration

```

void COMP_Init(void)
{
    COMP_Config_T compConfig;
    /* Configure COMP1 */
    COMP_ConfigStructInit(&compConfig);
    compConfig.invertingInput = COMP_INVERTING_INPUT_PA1;
    compConfig.output = COMP_OUTPUT_TIM1BKIN;
    compConfig.outputPol = COMP_OUTPUTPOL_NONINVERTED;
    compConfig.hysterrsis = COMP_HYSTERRSIS_NO;
    compConfig.mode = COMP_MODE_HIGHSPEED;
    COMP_Config(COMP_SELECT_COMP1, &compConfig);
    /* Enable COMP2 */
    COMP_Enable(COMP_SELECT_COMP1);
}

```

3.4 Settings of Key Parameters

All parameters in this system are configured in parameter.h of the user layer, mainly including system parameters, related parameters of backplane, related parameters of state machine, and related parameters of motor, as follows:

3.4.1 System Parameters

Table 3 System Parameters

Parameter name	Parameter description	Set value
SYS_REFV	Supply voltage of the system	3.3 (V)
SYSCLK_HSE_72MHz	Main frequency of the system	72000000 (Hz)
PWMFREQ	PWM frequency	20000 (Hz)
DEAD_TIME	PWM dead band time	1.0 (us)
SLOWLOOP_FREQ	Control frequency of slow loop	1000 (Hz)
HALL_TCY	Capture clock timing accuracy	1 (μs)
HALL_PSC_LOAD	Capture clock prescaler value	71
HALL_PRIOD	Capture clock timing count value	50000 (μs)
ECW	Direction setting	1
ECCW	Direction setting	0

3.4.2 Backplane Hardware Parameters

Table 4 Parameters of Backplane Hardware

Parameter name	Parameter description	Set value
ADC_REFV	ADC reference voltage	3.3 (V)
R_SHUNT	Sampling resistance value	0.02 (Ω)
CURRENT_OPA_GAIN	Amplification factor of operational amplifier	5.0
I_MAX	Current standardization reference value	16.5 (A)
UDC_MAX	Voltage standardization reference value	69.0 (V)
U_MAX	Phase voltage standardization reference value	39.83 (V)

3.4.3 Motor Related Parameters

Table 5 Motor Related Parameters

Parameter name	Parameter description	Set value
POLEPAIRS	Number of motor pole-pairs	2 (unit)
RAMP_UP	Speed rising slope	1000 (rpm/s)
RAMP_DOWN	Speed descending slope	1000 (rpm/s)
M1_SPEED_KP_Q10	Speed loop KP parameter Q10 format	512
M1_SPEED_KI_Q10	Speed loop KI parameter Q10 format	2

3.5 Debugging method

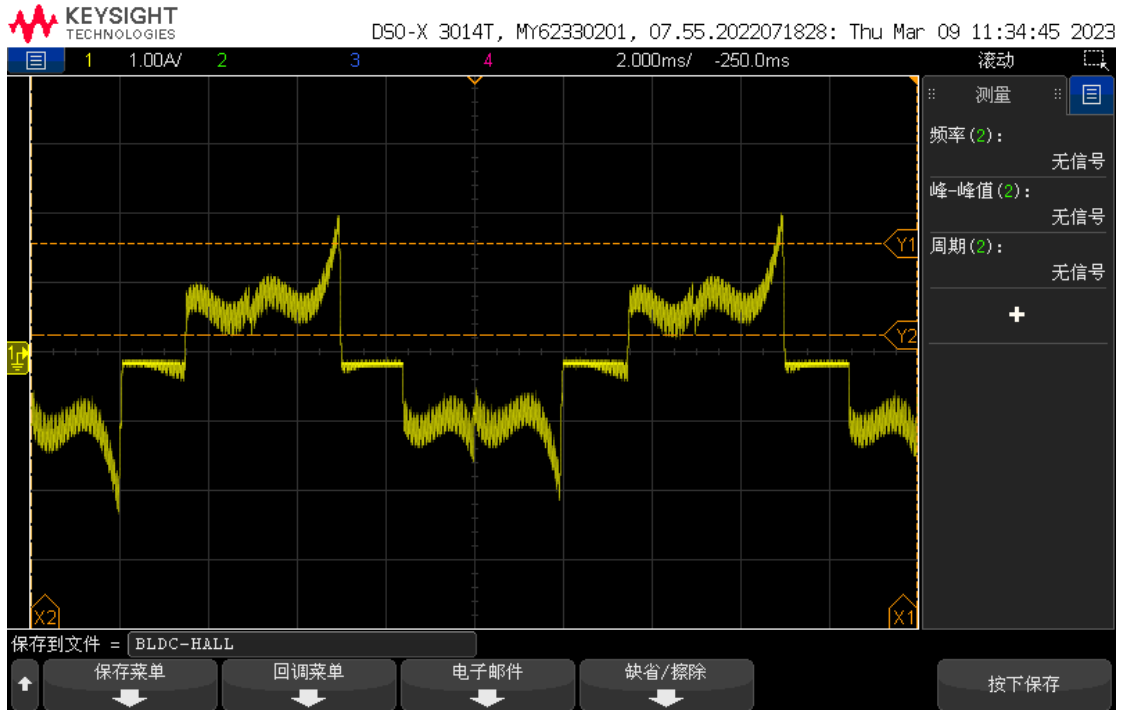
- (1) Check hardware connections: Check if the connections between the motor, motor driver and controller are correct, and if the power supply is stable, and ensure that all interfaces are inserted and tightened and free of damage or short circuits.
- (2) Configuration parameters: Configure the parameters of the controller according to the specifications of the motor and driver, such as the rated current of the motor, the motor parameters, the number of pole pairs of the motor, and the maximum speed of the motor. Ensure that all parameters are set correctly.
- (3) Conduct no-load test: Conduct load test with no motor load installed, to check whether the motor can start and rotate normally, and whether the speed meets the requirements. Note: It is necessary to verify whether the HALL operation sequence of the motor is correct. An

oscilloscope is used to collect the HALL signal port. Manually rotate the motor for one turn to confirm the forward and reverse operation sequence of HALL.

- (4) Conduct load test: Conduct load test with the motor load installed, to check the performance of the motor under load, such as speed and torque.
- (5) Conduct speed PID debugging: Use a PID regulator to control the response speed of the motor. The response and stability of the motor can be optimized by changing the PID parameters. During debugging, the experimental results should be recorded for future reference.
- (6) Conduct performance tests: After the above steps are completed, some performance tests can be conducted, such as measuring the maximum speed, maximum torque, and efficiency of the motor. Some testing equipment can be used for measurement, such as tachometer, load tester, and power meter.

4 Actual test waveform

Figure 18 Actual Test Waveform



5 Revision History

Table 6 Document Revision History

Date	Revision	Revision History
July 26, 2023	1.0	New
August 14, 2023	1.1	(1) Modified the production information form (2) Modified the format

Statement

This document is formulated and published by Geehy Semiconductor Co., Ltd. (hereinafter referred to as “Geehy”). The contents in this document are protected by laws and regulations of trademark, copyright and software copyright. Geehy reserves the right to make corrections and modifications to this document at any time. Please read this document carefully before using Geehy products. Once you use the Geehy product, it means that you (hereinafter referred to as the “users”) have known and accepted all the contents of this document. Users shall use the Geehy product in accordance with relevant laws and regulations and the requirements of this document.

1. Ownership

This document can only be used in connection with the corresponding chip products or software products provided by Geehy. Without the prior permission of Geehy, no unit or individual may copy, transcribe, modify, edit or disseminate all or part of the contents of this document for any reason or in any form.

The “极海” or “Geehy” words or graphics with “®” or “™” in this document are trademarks of Geehy. Other product or service names displayed on Geehy products are the property of their respective owners.

2. No Intellectual Property License

Geehy owns all rights, ownership and intellectual property rights involved in this document.

Geehy shall not be deemed to grant the license or right of any intellectual property to users explicitly or implicitly due to the sale or distribution of Geehy products or this document.

If any third party’s products, services or intellectual property are involved in this document, it shall not be deemed that Geehy authorizes users to use the aforesaid third party’s products, services or intellectual property, unless otherwise agreed in sales order or sales contract.

3. Version Update

Users can obtain the latest document of the corresponding models when ordering Geehy products.

If the contents in this document are inconsistent with Geehy products, the agreement in the sales order or the sales contract shall prevail.

4. Information Reliability

The relevant data in this document are obtained from batch test by Geehy Laboratory or cooperative third-party testing organization. However, clerical errors in correction or errors caused by differences in testing environment may occur inevitably. Therefore, users should understand that Geehy does not bear any responsibility for such errors that may occur in this document. The relevant data in this document are only used to guide users as performance parameter reference and do not constitute Geehy's guarantee for any product performance.

Users shall select appropriate Geehy products according to their own needs, and effectively verify and test the applicability of Geehy products to confirm that Geehy products meet their own needs, corresponding standards, safety or other reliability requirements. If losses are caused to users due to the user's failure to fully verify and test Geehy products, Geehy will not bear any responsibility.

5. Legality

USERS SHALL ABIDE BY ALL APPLICABLE LOCAL LAWS AND REGULATIONS WHEN USING THIS DOCUMENT AND THE MATCHING GEEHY PRODUCTS. USERS SHALL UNDERSTAND THAT THE PRODUCTS MAY BE RESTRICTED BY THE EXPORT, RE-EXPORT OR OTHER LAWS OF THE COUNTRIES OF THE PRODUCTS SUPPLIERS, GEEHY, GEEHY DISTRIBUTORS AND USERS. USERS (ON BEHALF OR ITSELF, SUBSIDIARIES AND AFFILIATED ENTERPRISES) SHALL AGREE AND PROMISE TO ABIDE BY ALL APPLICABLE LAWS AND REGULATIONS ON THE EXPORT AND RE-EXPORT OF GEEHY PRODUCTS AND/OR TECHNOLOGIES AND DIRECT PRODUCTS.

6. Disclaimer of Warranty

THIS DOCUMENT IS PROVIDED BY GEEHY "AS IS" AND THERE IS NO WARRANTY OF ANY KIND, EITHER EXPRESSED OR IMPLIED, INCLUDING, BUT NOT LIMITED TO, THE WARRANTIES OF MERCHANTABILITY AND FITNESS FOR A PARTICULAR PURPOSE, TO THE

EXTENT PERMITTED BY APPLICABLE LAW.

GEEHY WILL BEAR NO RESPONSIBILITY FOR ANY DISPUTES ARISING FROM THE SUBSEQUENT DESIGN OR USE BY USERS.

7. Limitation of Liability

IN NO EVENT UNLESS REQUIRED BY APPLICABLE LAW OR AGREED TO IN WRITING WILL GEEHY OR ANY OTHER PARTY WHO PROVIDE THE DOCUMENT "AS IS", BE LIABLE FOR DAMAGES, INCLUDING ANY GENERAL, SPECIAL, DIRECT, INCIDENTAL OR CONSEQUENTIAL DAMAGES ARISING OUT OF THE USE OR INABILITY TO USE THE DOCUMENT (INCLUDING BUT NOT LIMITED TO LOSS OF DATA OR DATA BEING RENDERED INACCURATE OR LOSSES SUSTAINED BY USERS OR THIRD PARTIES).

8. Scope of Application

The information in this document replaces the information provided in all previous versions of the document.

© 2023 Geehy Semiconductor Co., Ltd. - All Rights Reserved